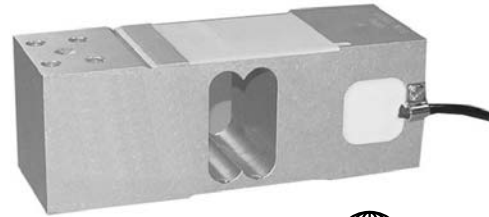


## Aluminum High Capacity Single-Point Load Cell

### FEATURES

- Capacities 50–635 kg
- Aluminum construction
- Single-point 600 x 600 mm platform
- OIML R60 approved
- IP66 protection
- Available with metric threads
- **Optional**
  - EEx ia IIC T4 hazardous area approval



### APPLICATIONS

- Large platform scales
- Hanging scales
- Check weighing

The rugged construction offers high immunity to side forces making it suitable for a wide range of weighing applications, including bench scales, check weighing and process weighing.

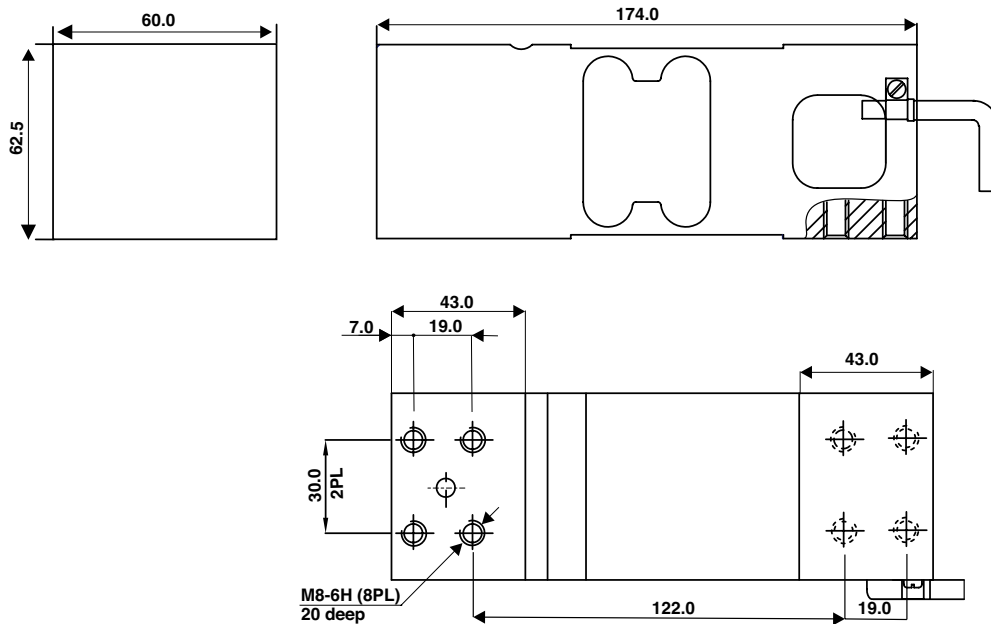
A special humidity resistant protective coating assures long-term stability over the entire compensated temperature range.

### DESCRIPTION

Model 1263 is a high performance, high capacity single-point load cell designed for direct mounting of large weighing platforms.

The 1263 provides scale manufacturers with a high accuracy low cost sensor to meet today's needs.

### OUTLINE DIMENSIONS in millimeters



## Aluminum High Capacity Single-Point Load Cell

SPECIFICATIONS			
PARAMETER	VALUE		UNIT
Rated capacity – R.C. ( $E_{max}$ )	50, 100, 150, 200, 250, 300, 500, 635		kg
NTEP/OIML accuracy class	Non-Approved	C3*	
Maximum no. of intervals (n)	1000	3000	
$Y = E_{max}/V_{min}$	2000	15000	Maximum available
Rated output – R.O.	2.0		mV/V
Rated output tolerance	0.2		±mV/V
Zero balance	0.2		±mV/V
Zero return, 30 min.	0.050	0.0170	±% of applied load
Total error	0.0300	0.0200	±% of rated output
Temperature effect on zero	0.0100	0.0023	±% of rated output/°C
Temperature effect on output	0.0030	0.0010	±% of applied load/°C
Eccentric loading error	0.0050	0.0033	±% of rated load/cm
Temperature range, compensated	-10 to +40		°C
Temperature range, safe	-20 to +70		°C
Maximum safe central overload	150		% of R.C.
Ultimate central overload	300		% of R.C.
Excitation, recommended	10		VDC or VAC RMS
Excitation, maximum	15		VDC or VAC RMS
Input impedance	415±15		Ω
Output impedance	350±3		Ω
Insulation resistance	>2000		MΩ
Cable length	1.5		m
Cable type	4-wire, PVC, single floating screen		Standard
Construction	aluminum		
Environmental protection	IP66		
Platform size (max)	600 x 600 mm		mm
Recommended torque	Up to 300 kg: 25.0 Above 300 kg: 30.0		N*m

\* 50% utilization

All specifications subject to change without notice.

### WIRING SCHEMATIC DIAGRAM

